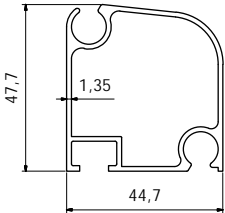
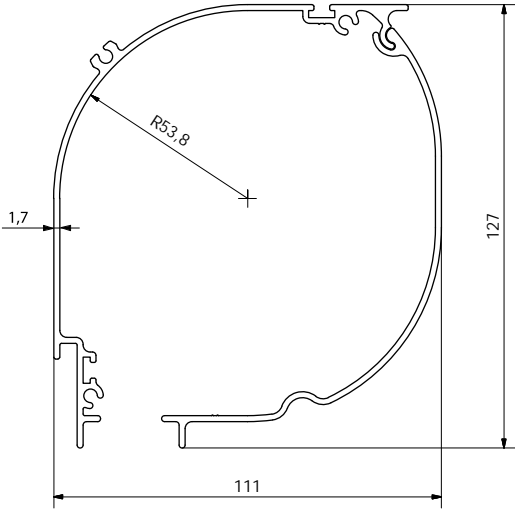


# Technical Drawings - Awning mod.S/73

Dimensions in mm.

Technical Drawing	Code	Length
	AC056	4000 5000 6000 7000
	AC613*	7000

\* Optional components available on request